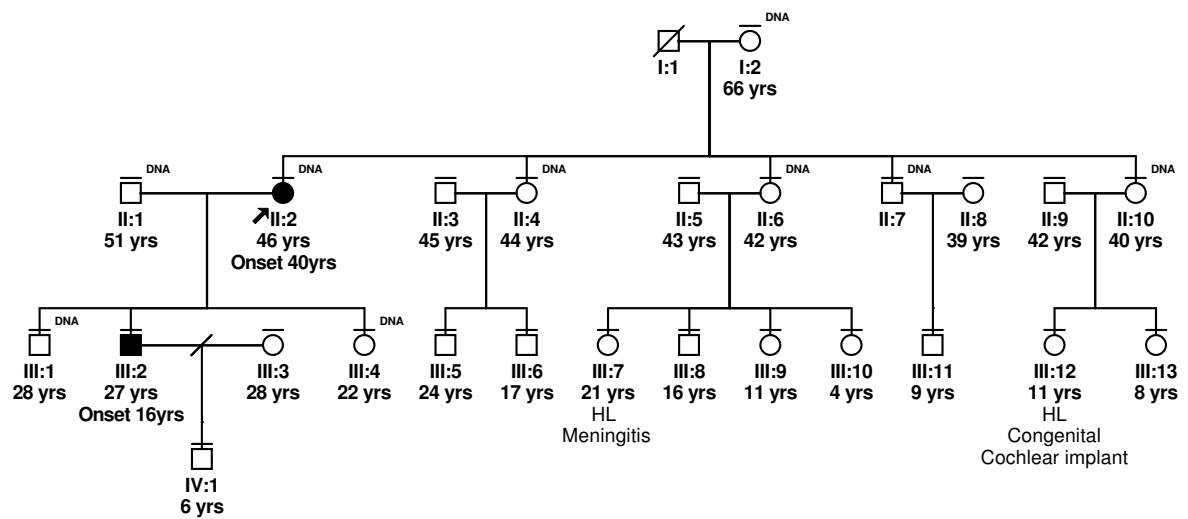
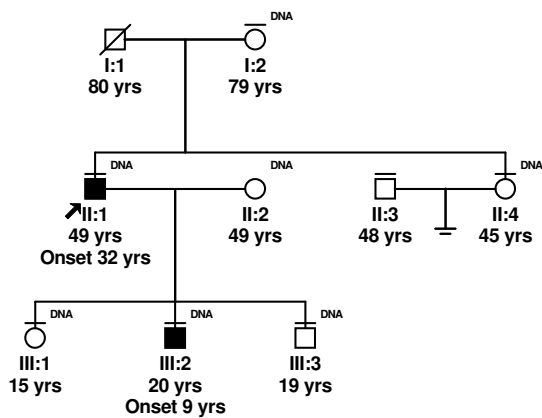


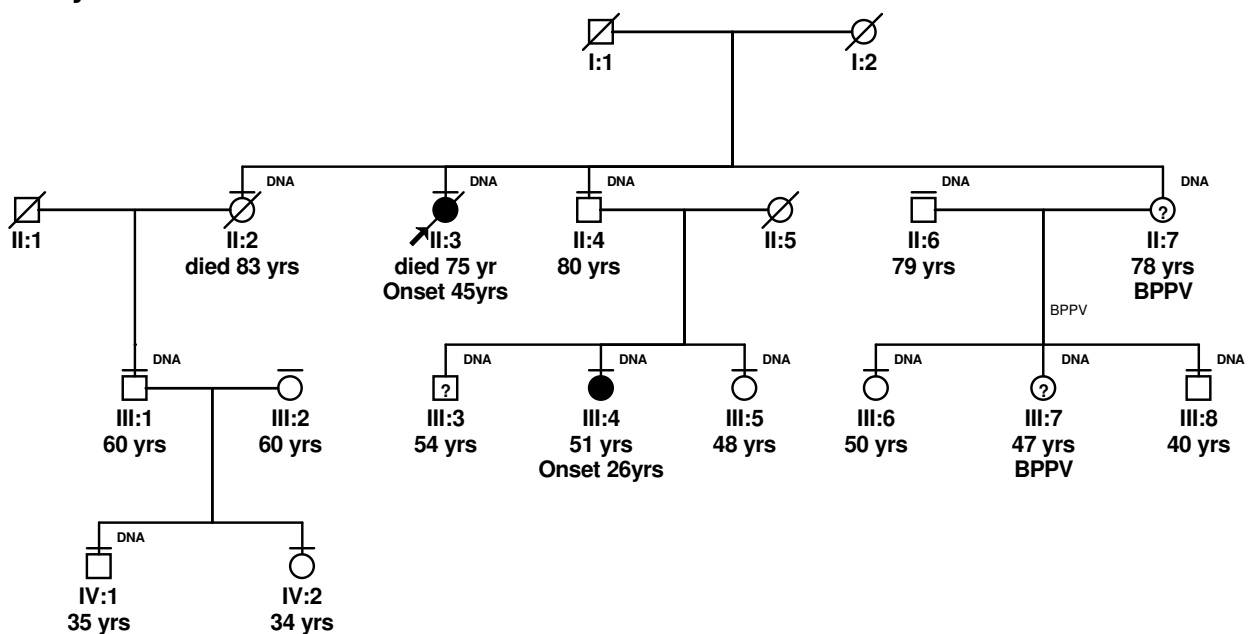
Family AA



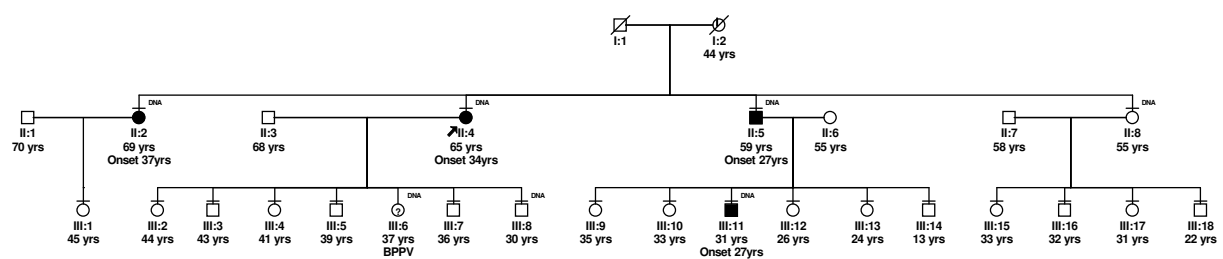
Family CW



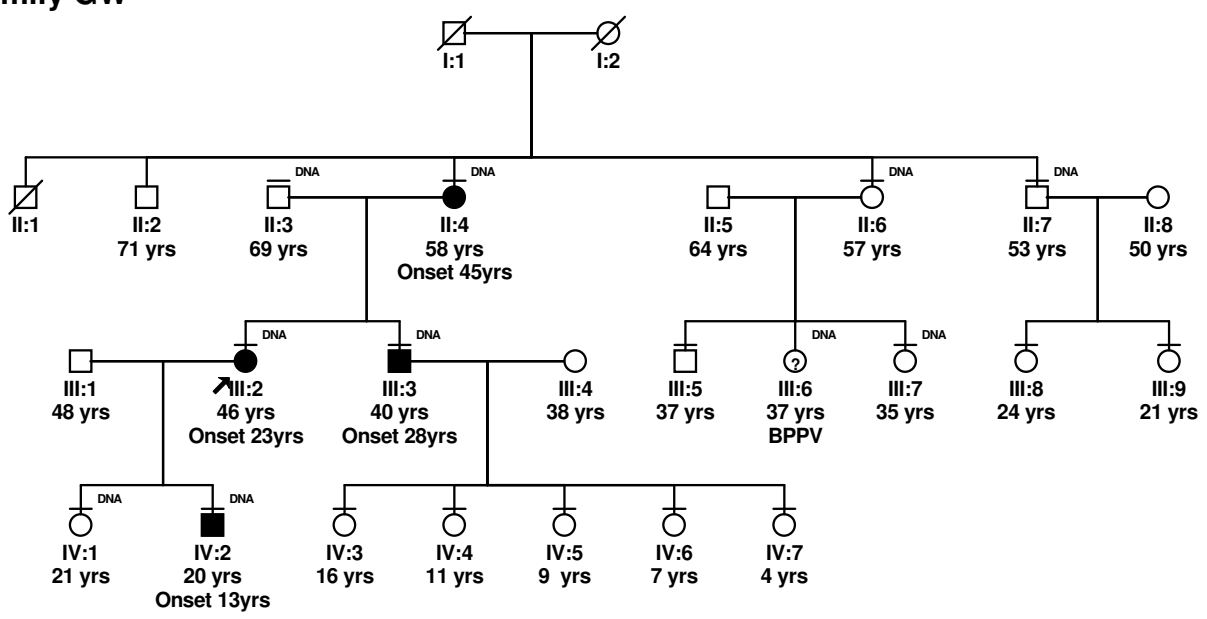
Family DX



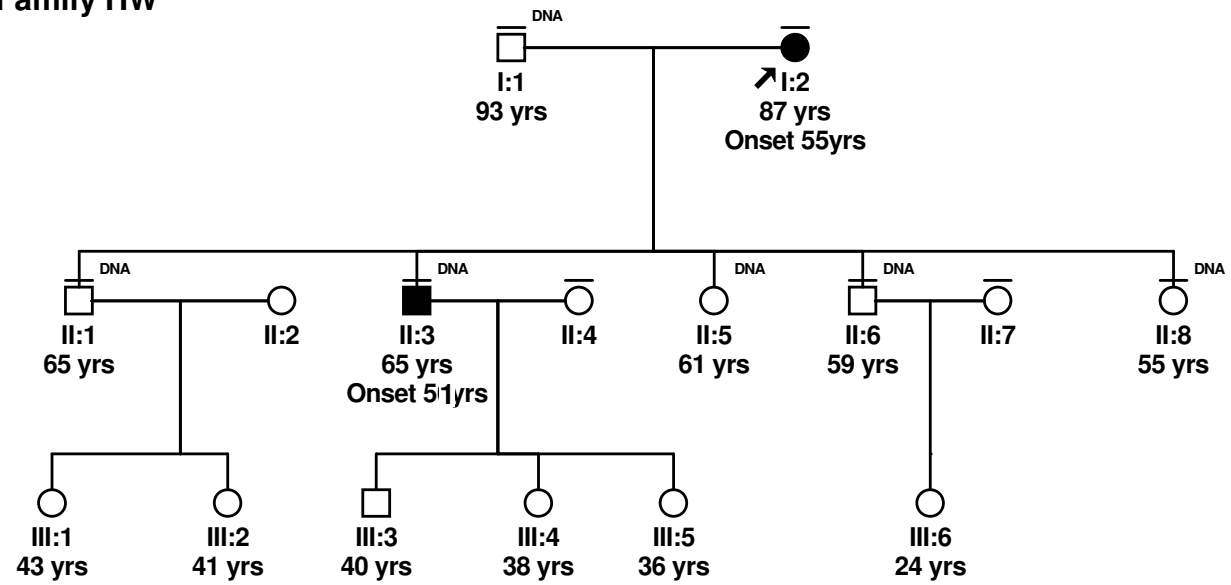
Family EW



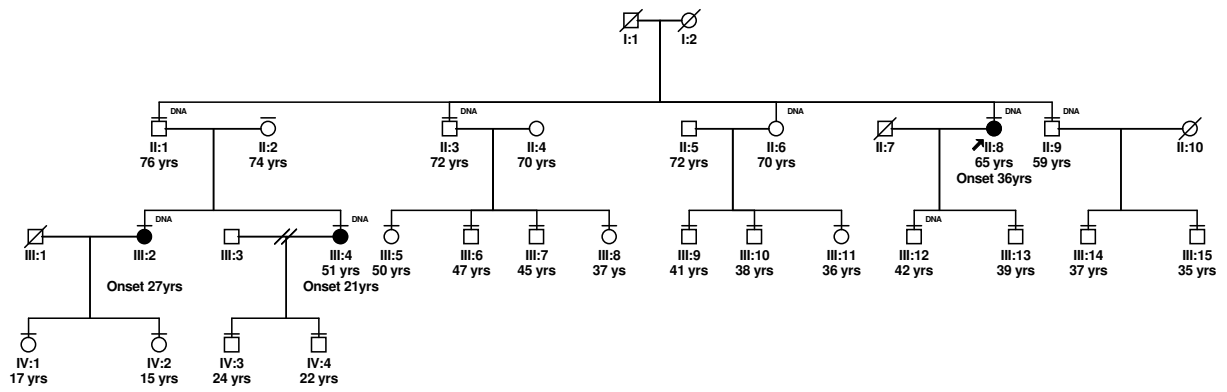
Family GW



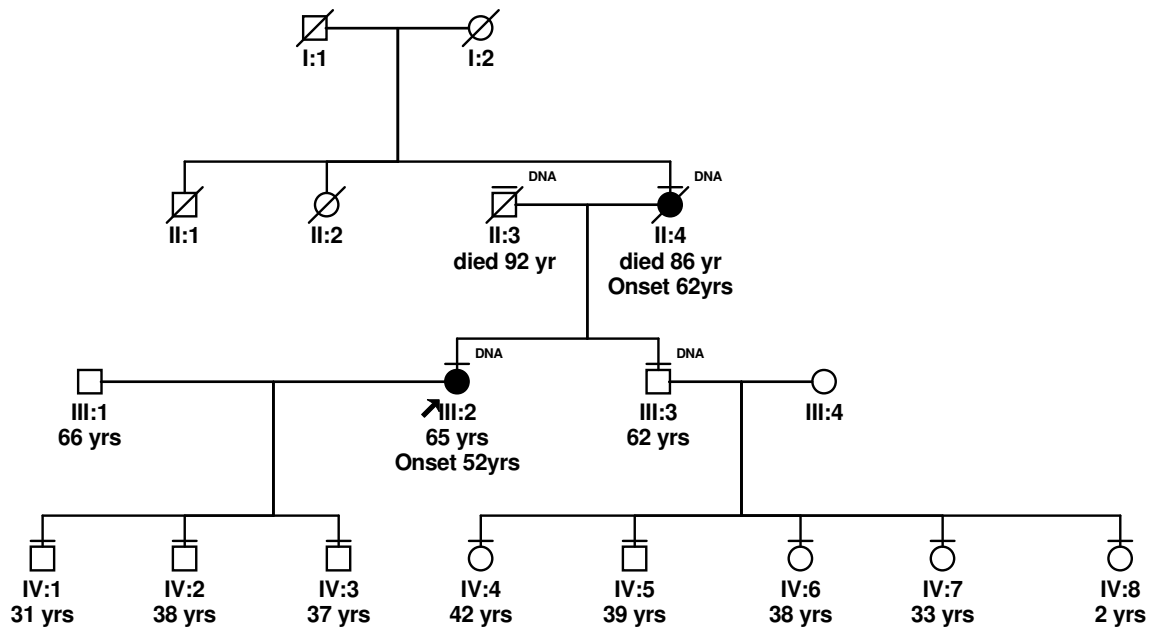
Family HW



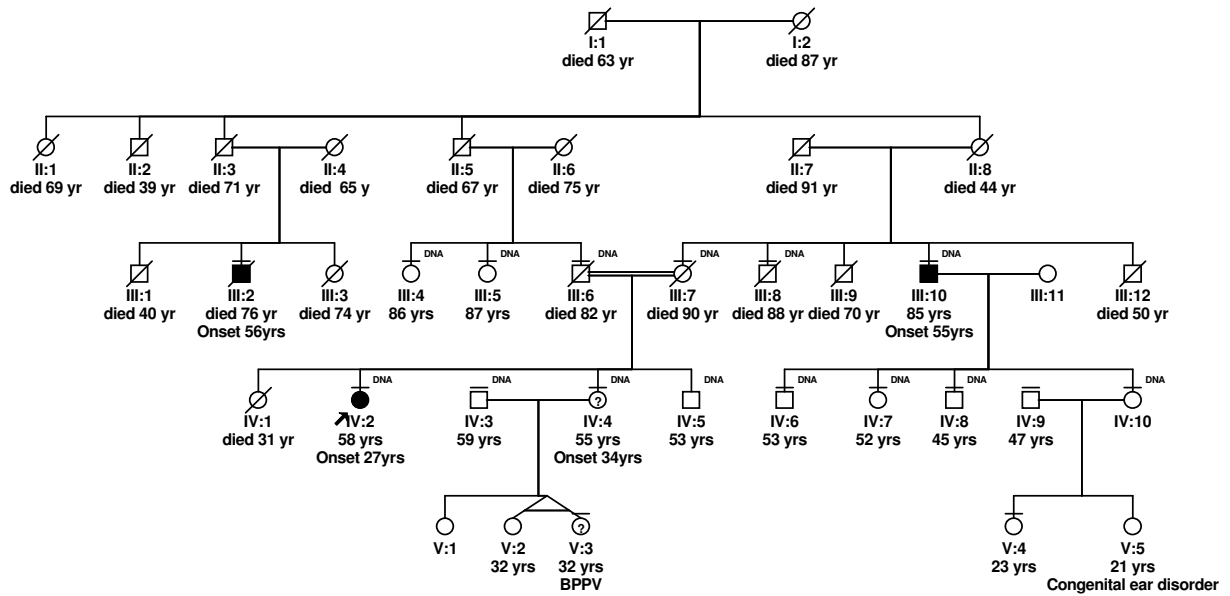
Family HX



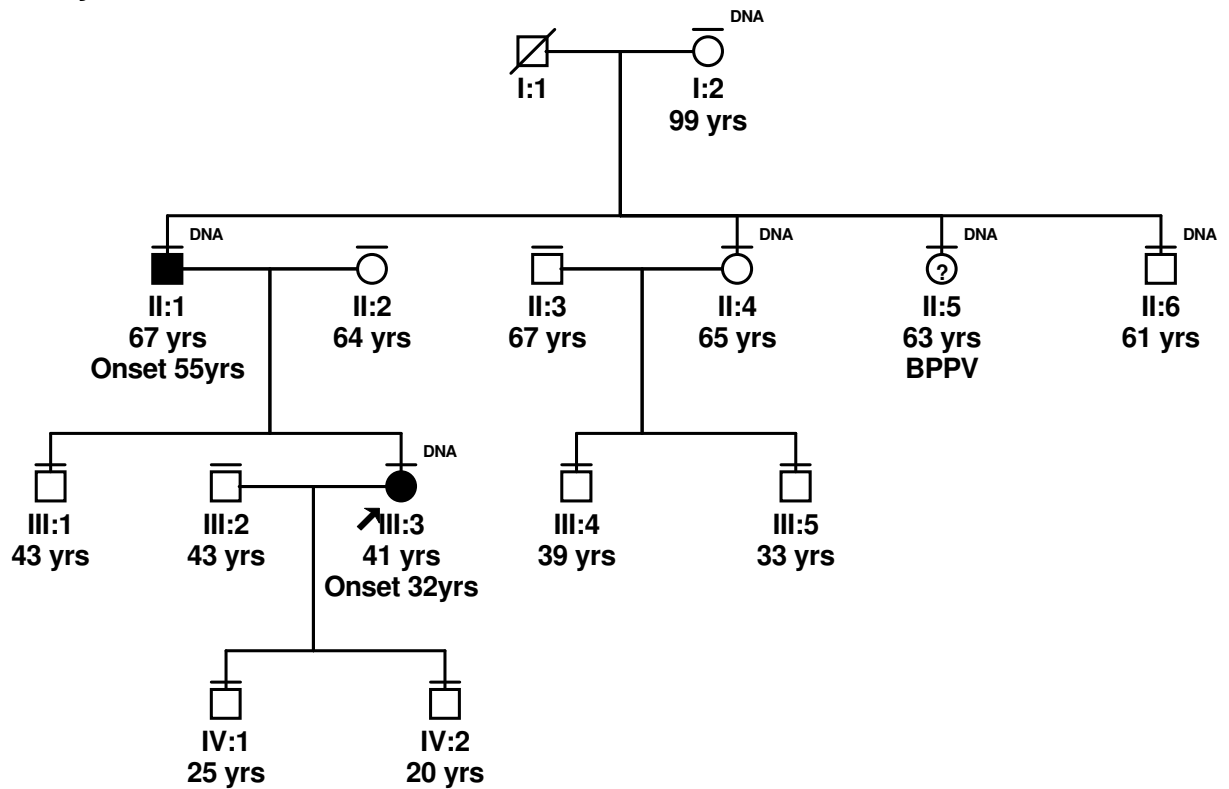
Family LW



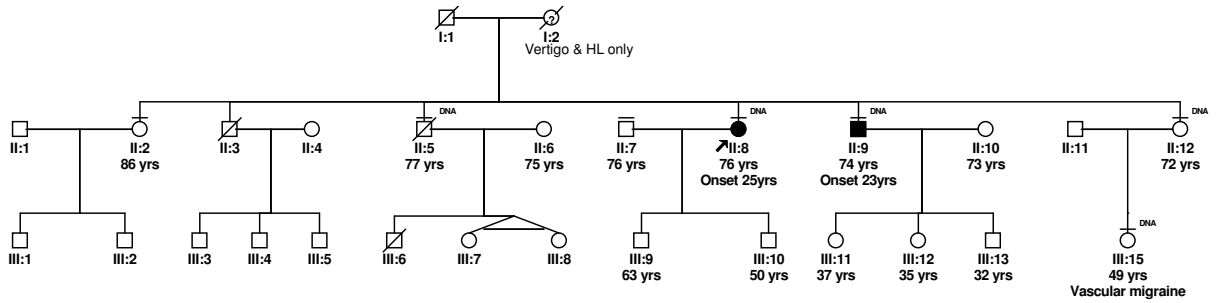
Family MX



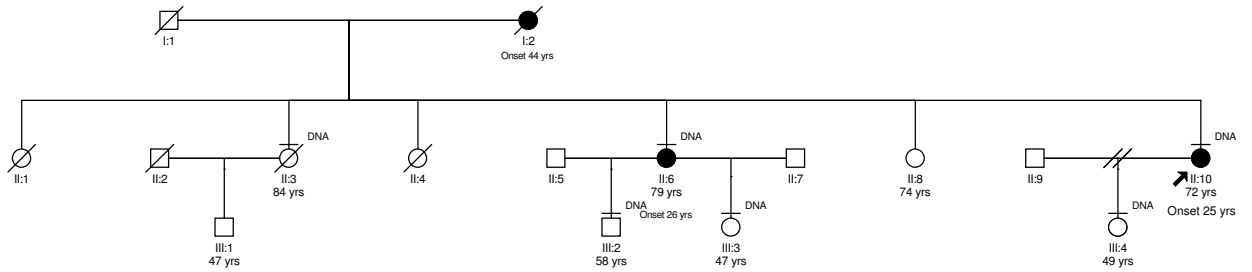
Family NC



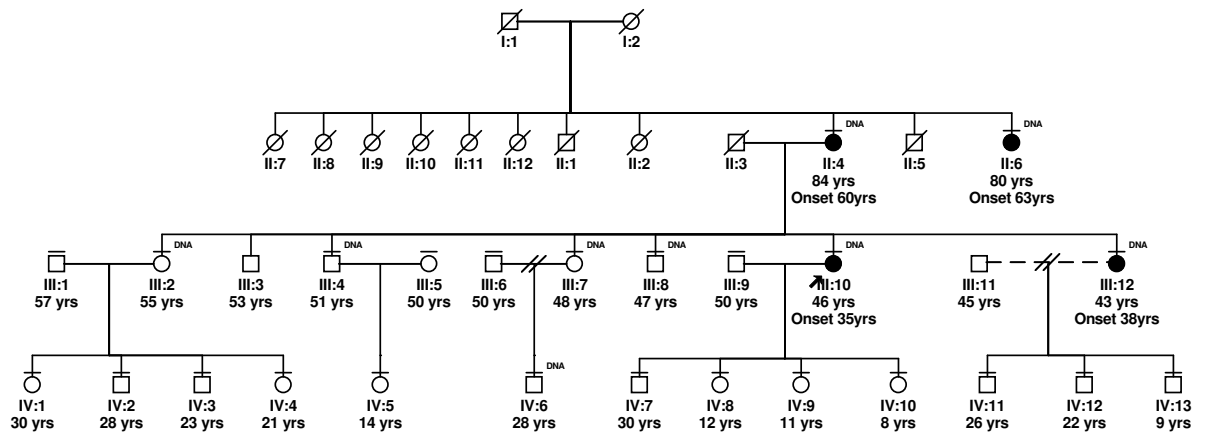
Family NE



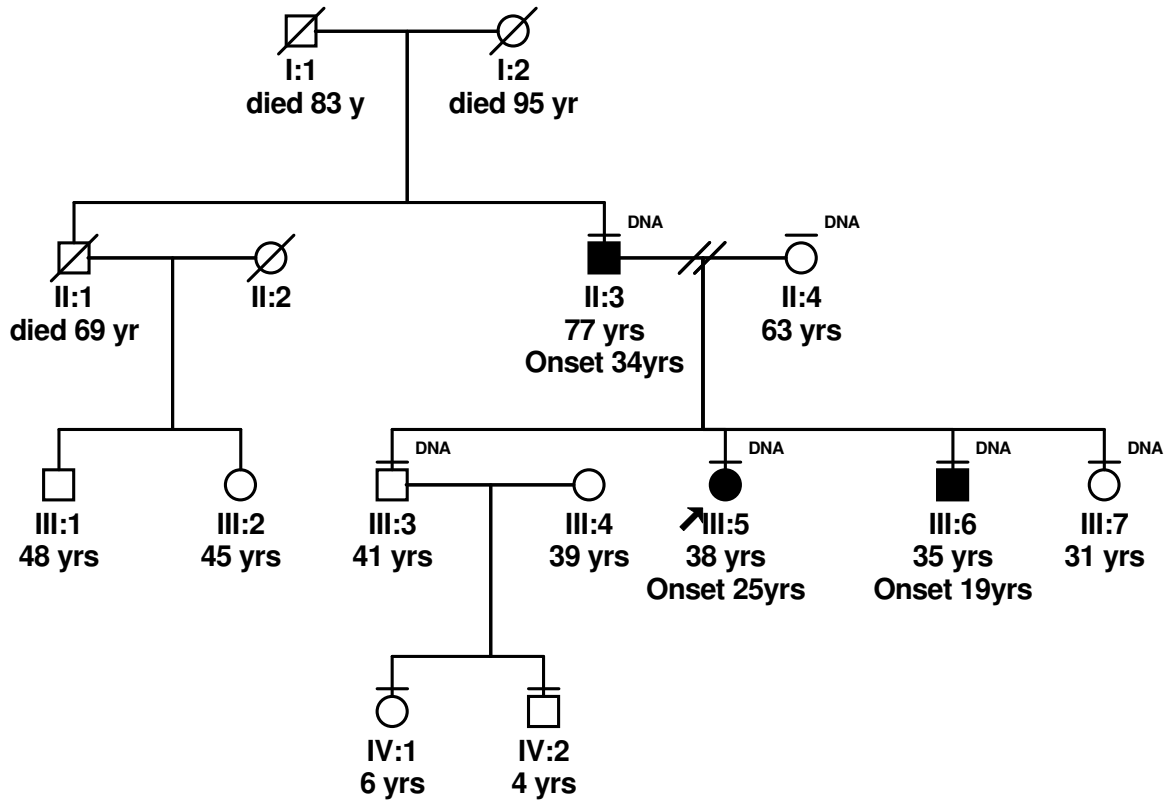
Family NH



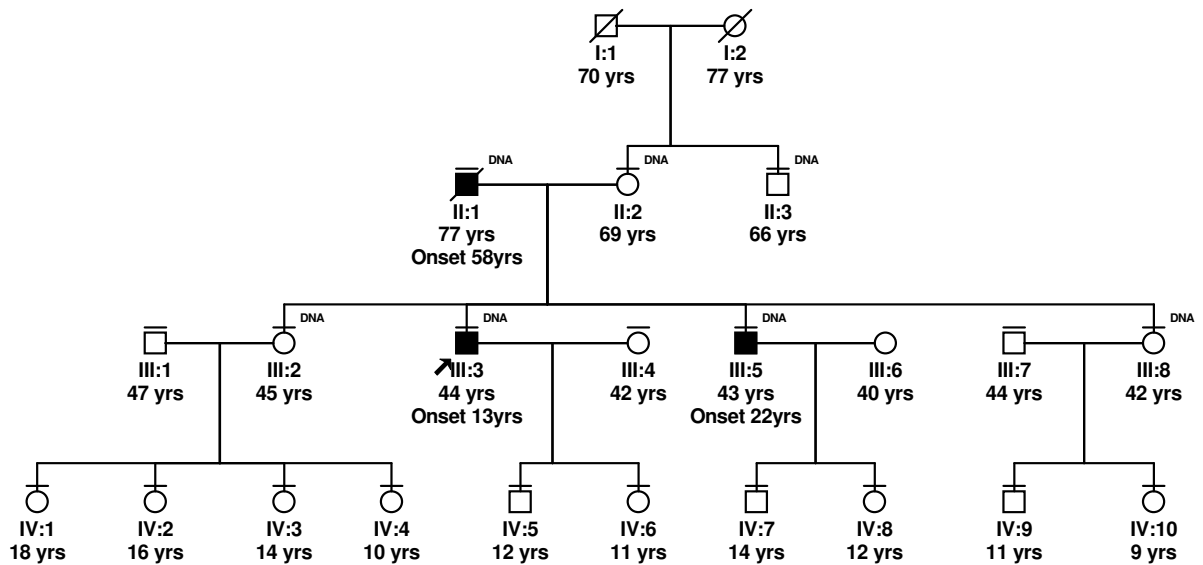
Family NK



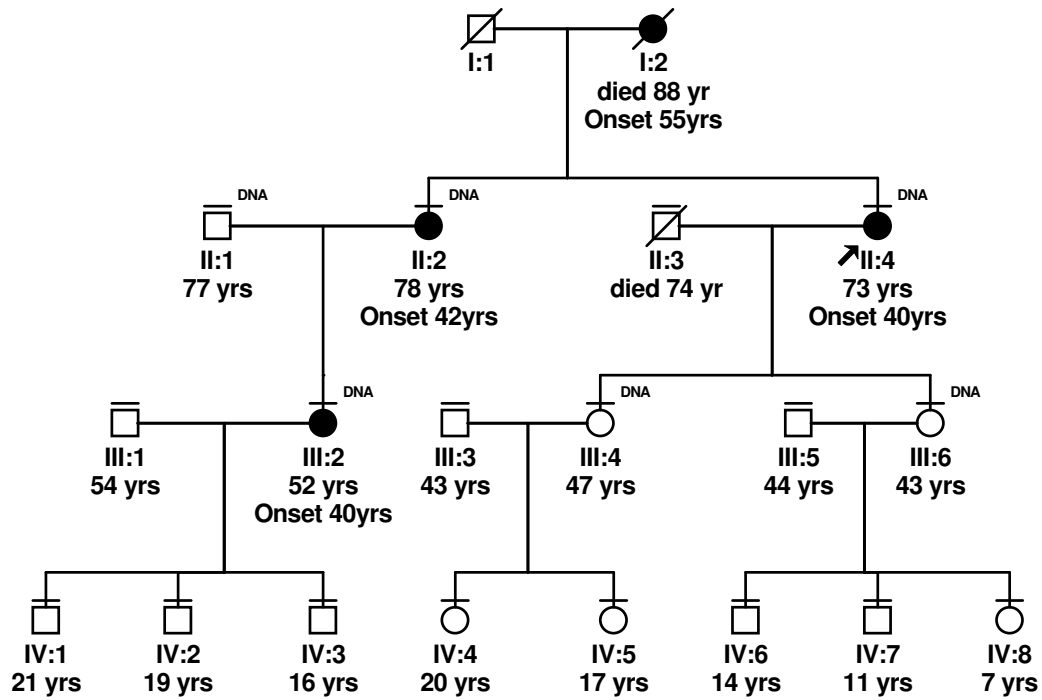
Family NP



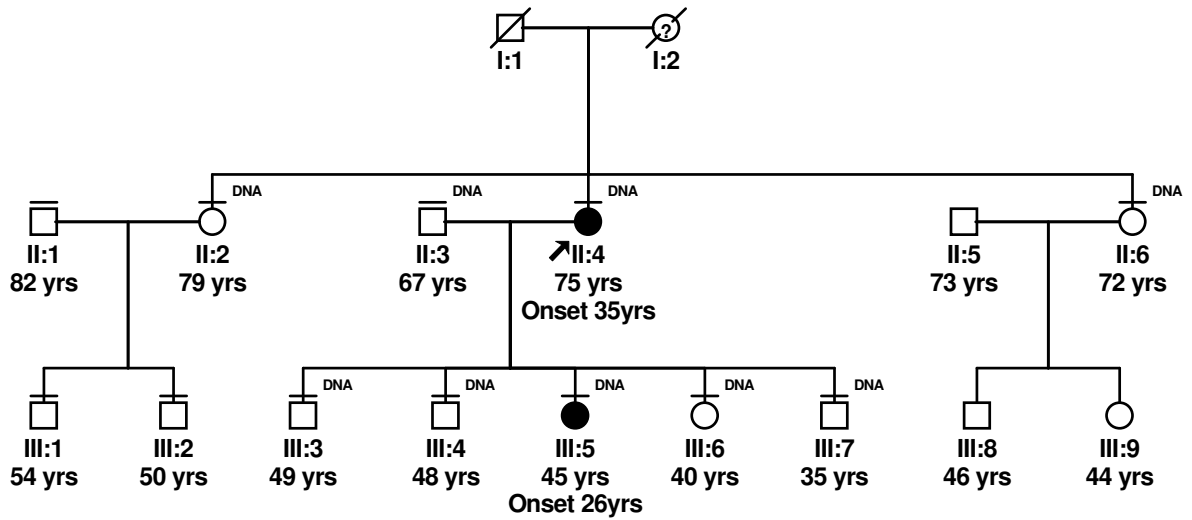
Family NW



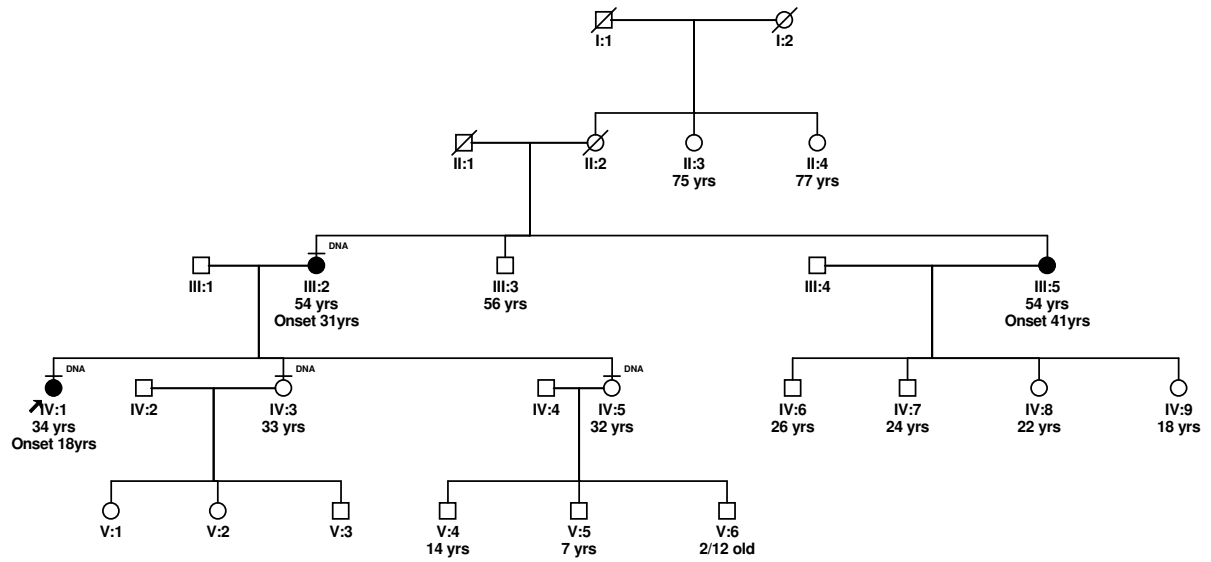
Family NX



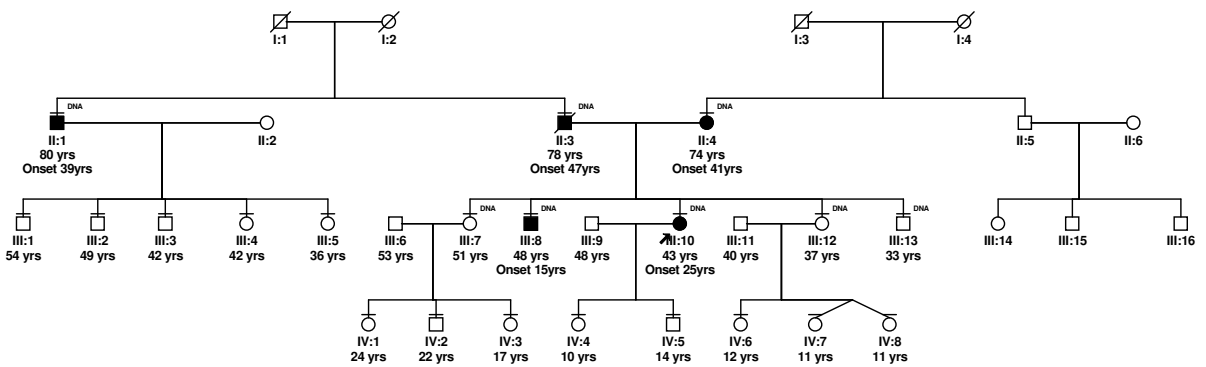
Family OW



Family TW



Family YW



Legend to pedigrees

Familial Ménière's Disease Pedigrees of 19 families


Key to figure 3


 = Unaffected Female


 = Affected Female

 = Unaffected Male

 = Affected Male

 = Affected with MD by hearsay

 = Partial Syndrome (possible or probable MD)

 = Proband

Horizontal line above individual = has been personally examined for diagnosis or exclusion of diagnosis by authors

'DNA' = DNA has been collected

'BPPV' = benign paroxysmal positional vertigo in probable and possible MD cases and in unaffected relatives

'nn yrs' = age of individual in 2003 or age at death

'Onset nn yrs' = age of affected individual at first clear symptom of MD