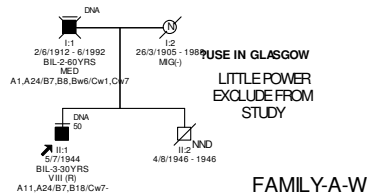
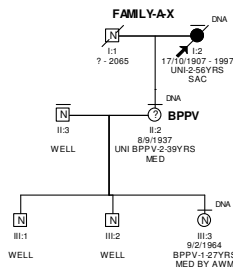
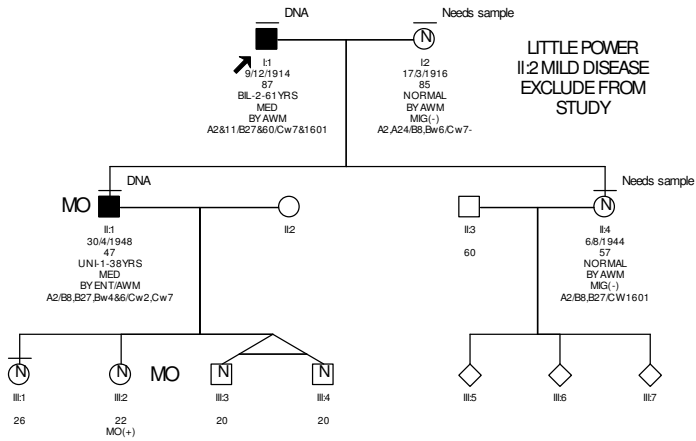


These 42 Family Trees comprise most of the rest of the pedigrees showing the collected families with familial Ménière's Disease in our research series. These 42 were either recently added or were not considered to have as much power for our genetic studies as the 19 representative trees published in the Journal of Laryngology & Otology 2008, as well as on this website. The data here is in rough "working" form and summarises much but not all of the information known to date.

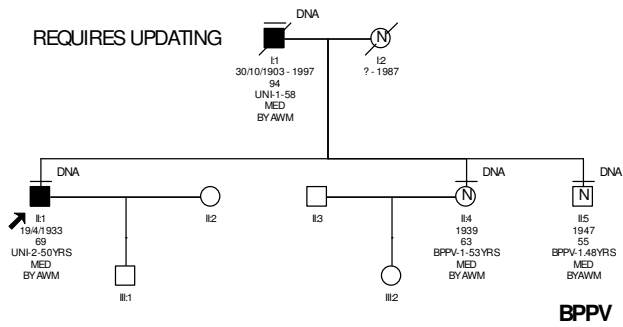


BOTH SEVERE DISEASE  
ESPECIALLY II:1





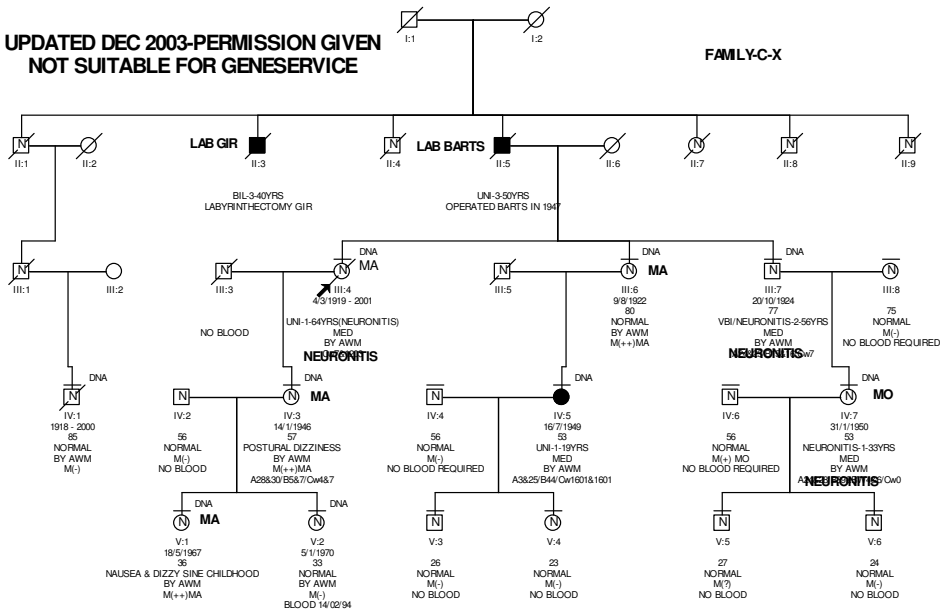
FAMILY-B-W



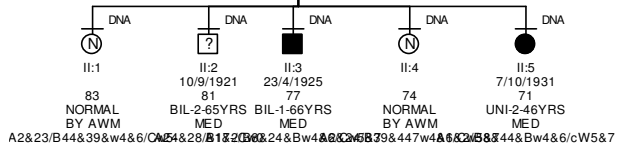
MLD DISEASE- LATE ONSET  
EXCLUDE FROM STUDY

FAMILY-B-X

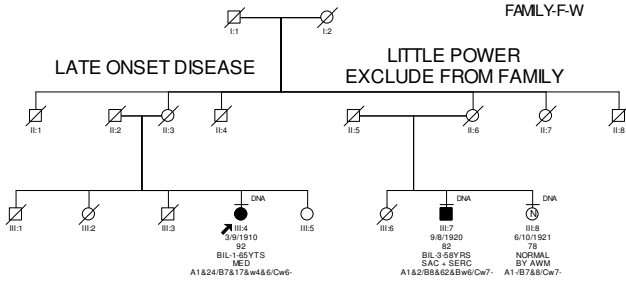
UPDATED DEC 2003-PERMISSION GIVEN  
NOT SUITABLE FOR GENESERVICE



REQUIRES UPDATE  
**FAMILY-D-W**

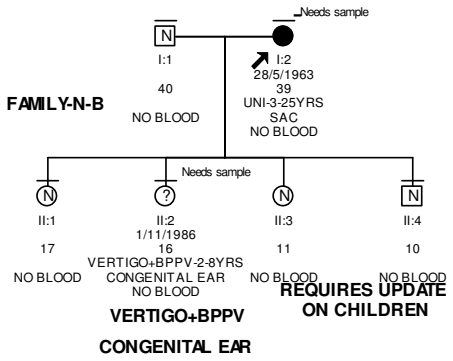
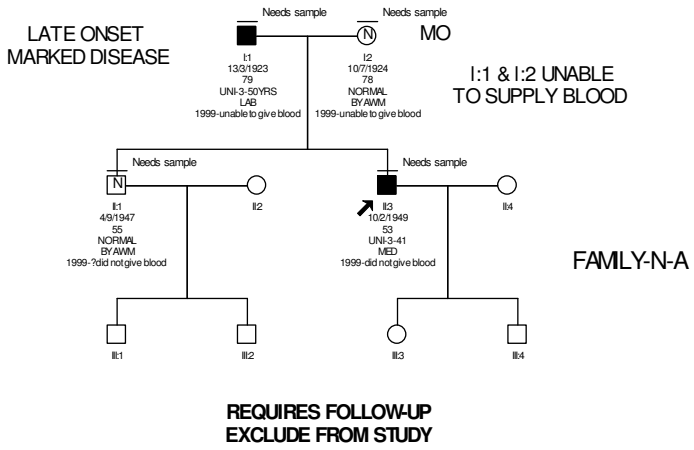
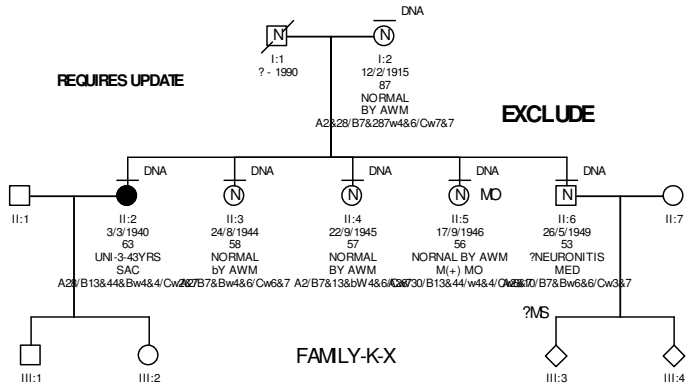


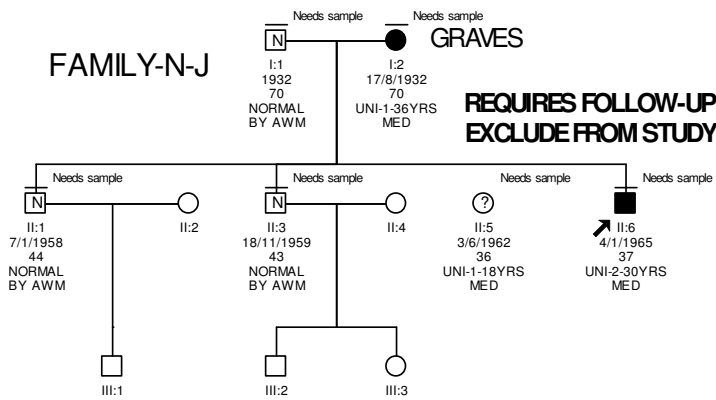
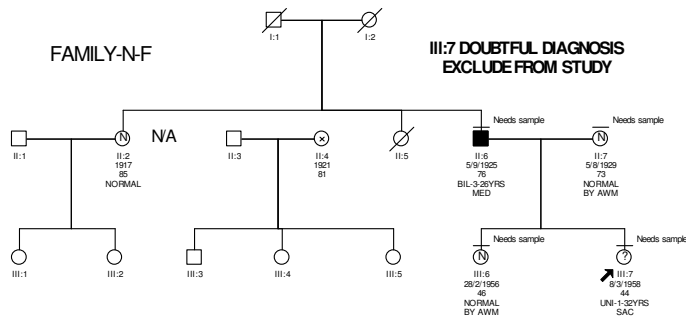
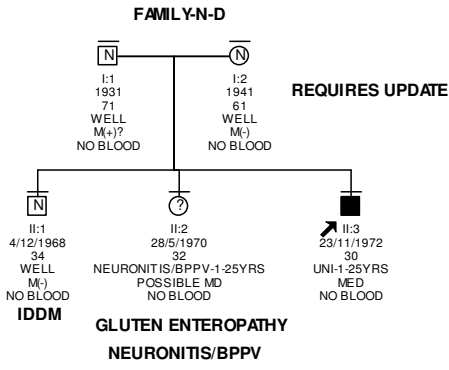
LATE ONSET DISEASE  
LITTLE POWER EXCLUDE FROM FAMILY  
**FAMILY-F-W**

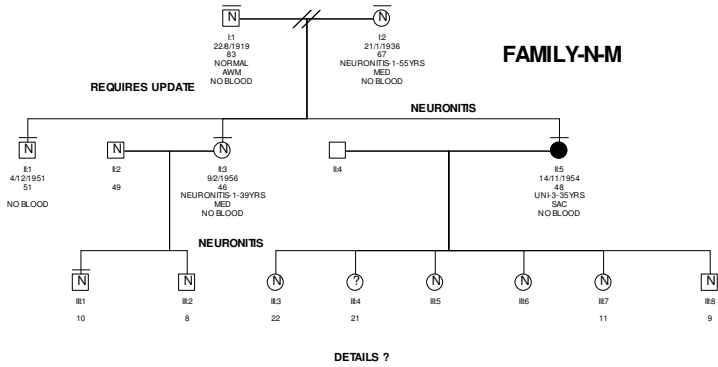
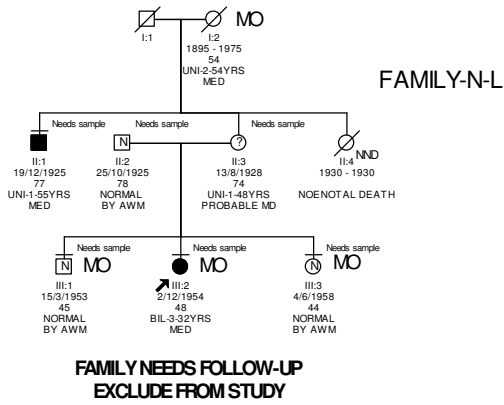


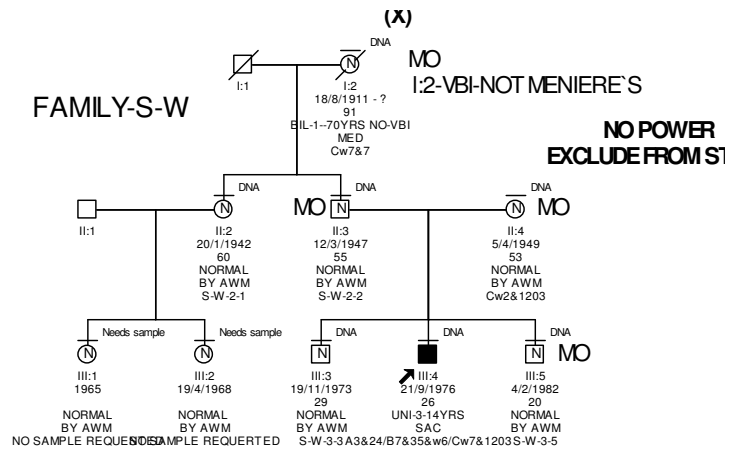
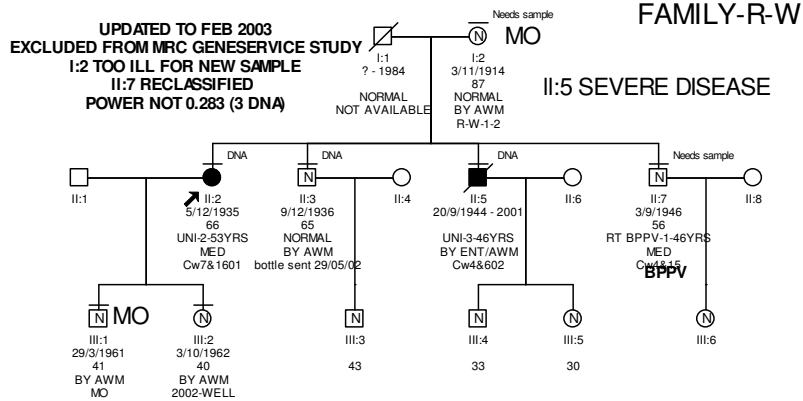


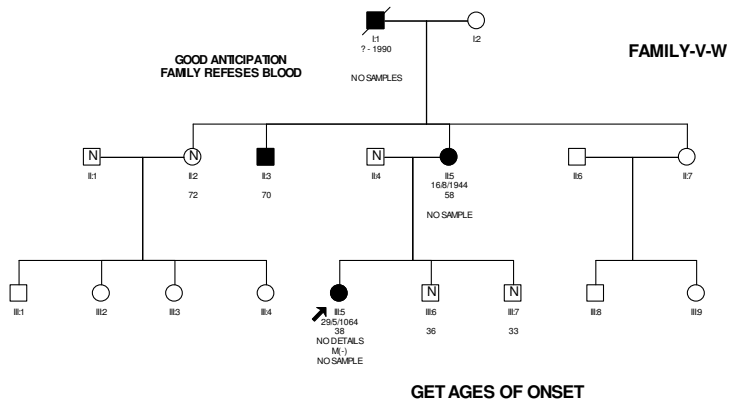
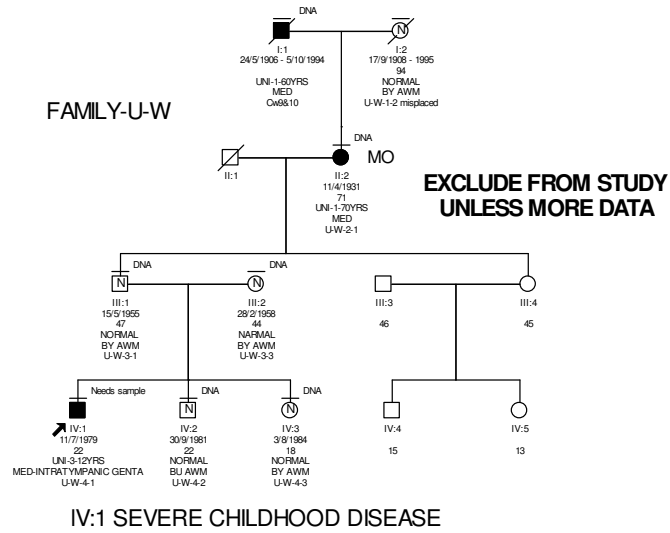


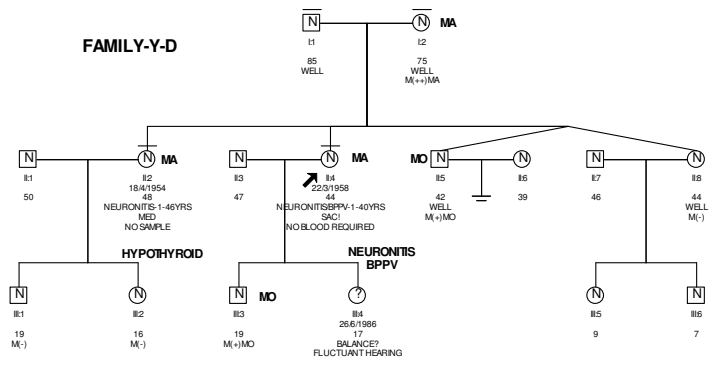
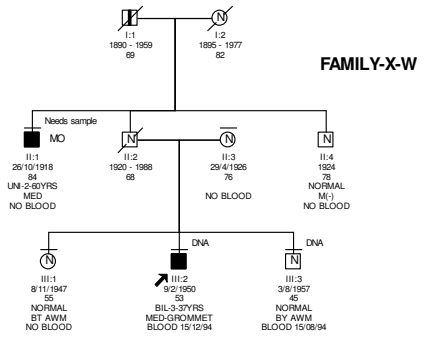


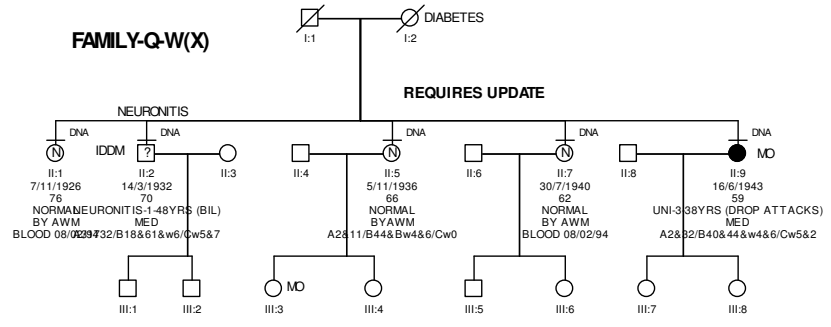
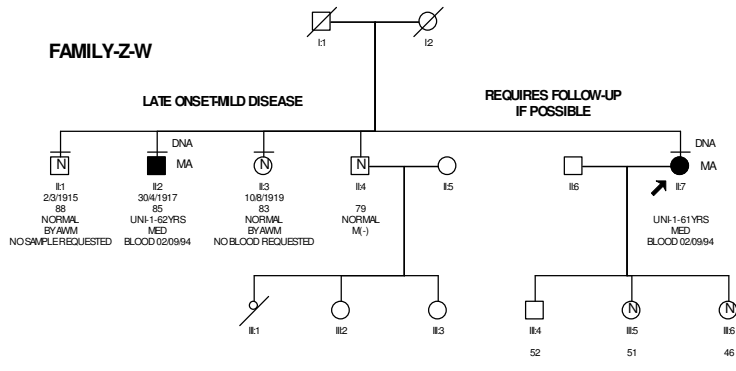


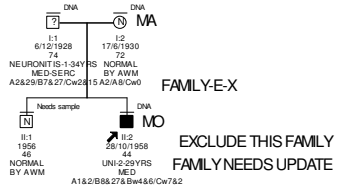
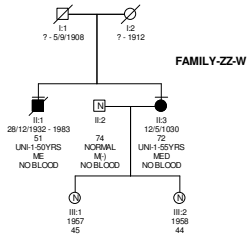












?CHANGE I:1 TO PROBABLE MD

